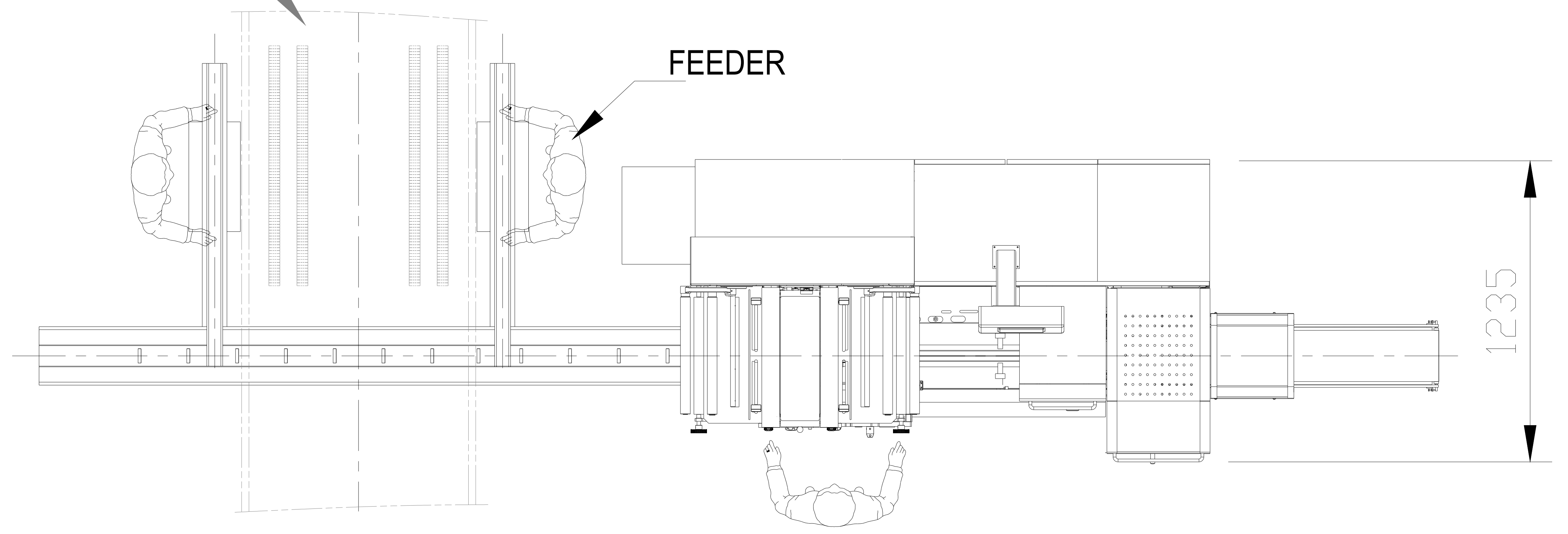




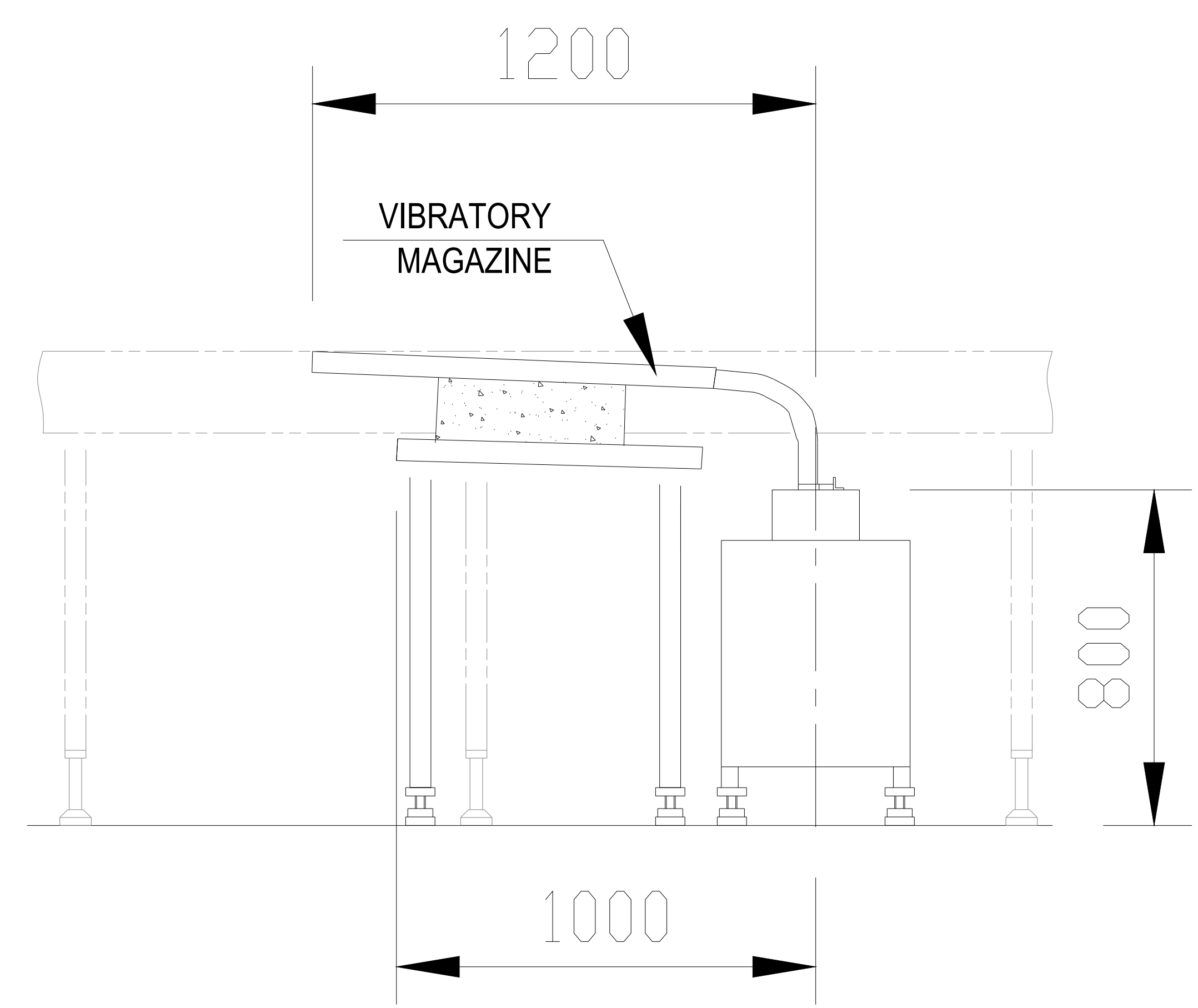
BISCUIT CARRYING CONVEYOR
NOT SCOPE OF SUPPLY



FEEDER

1235

WRAPPER REELS

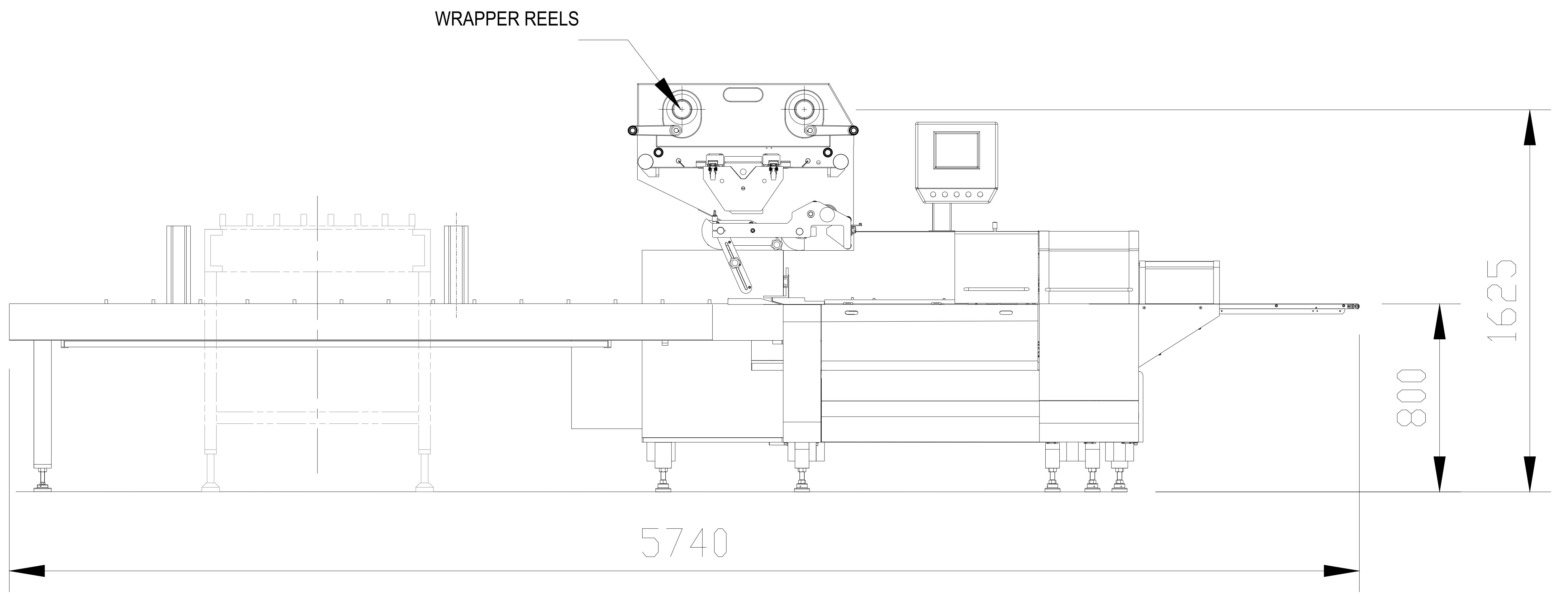


VIBRATORY
MAGAZINE

1200

1000

800



5740

800

1625